

Nouveau



Design By

Bernhardt & Vella

Code

EXNOUSP90TOND3

Category

Mirror

Module Dimensions

Ø92 x h 97 cm

Materials

Frosted glass, matt varnished metal

Colours

● Black - RAL 9004

● Brass

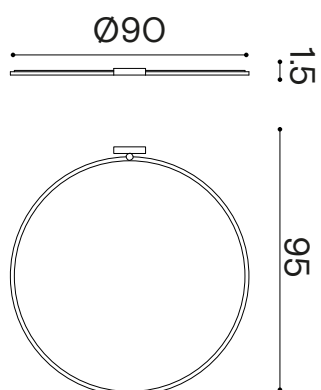
Weight

Product - kg

Packaging - kg

Packaging Dimensions

-



Nouveau

Scale 1:10

